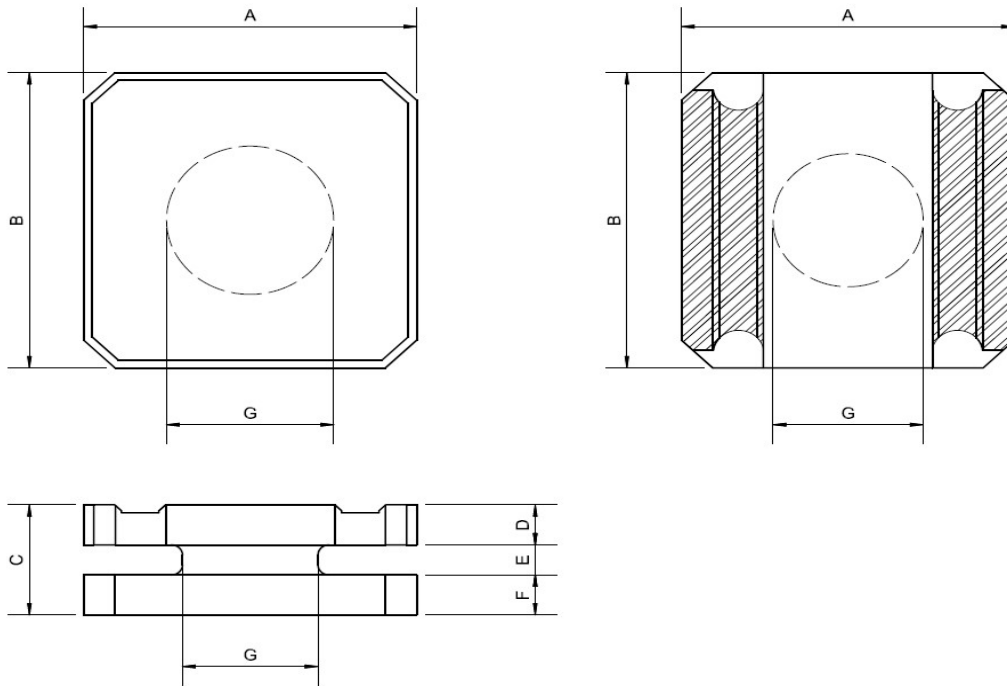
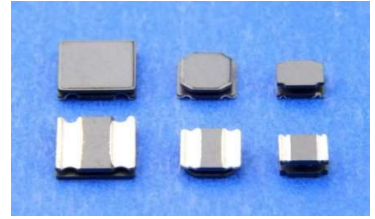


## 2.4 TPI Series: Ferrite Core for Power Inductor

### Features

- 1.Design for SMD power inductor use.
- 2.Low profile, high strength.
- 3.Do not contain lead & support lead-free soldering.
- 4.Provide Ag-Ni-Sn termination for automatic bonding process.



unit: mm

Item	A	B	C	D	E	F	G
TPI2016□□	2.00	1.60	Base on requirement.				
TPI2424□□	2.40	2.40					
TPI2520□□	2.50	2.00					
TPI2929□□	2.95	2.95					
TPI3939□□	3.95	3.95					

Tolerance for all dimensions are  $\pm 0.05$